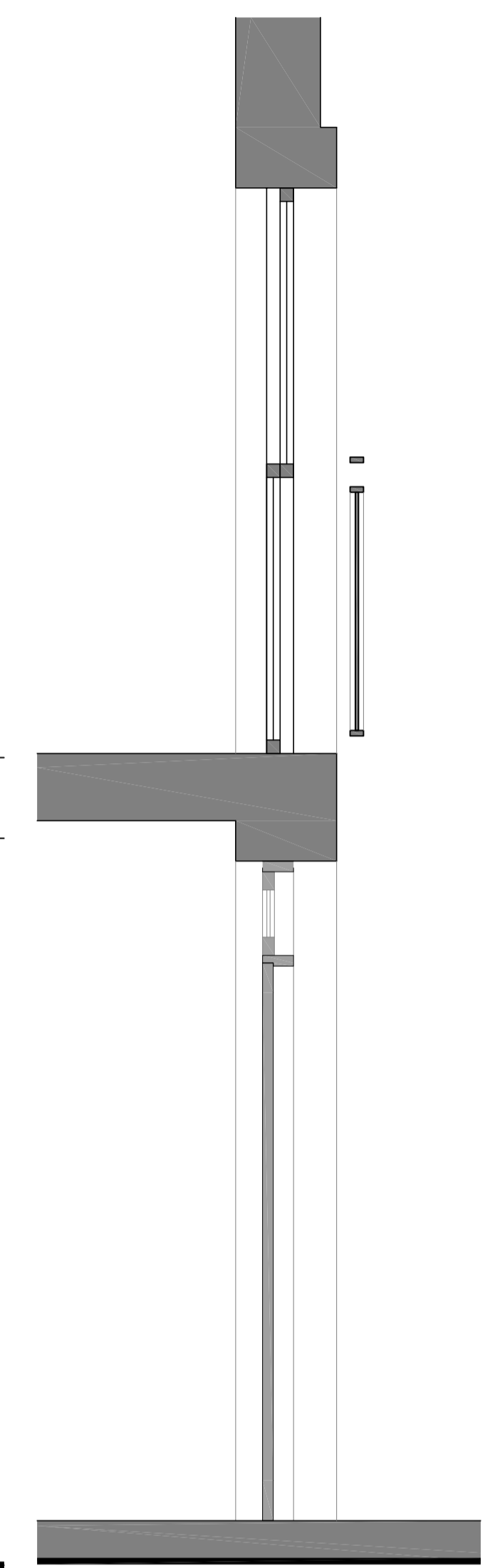
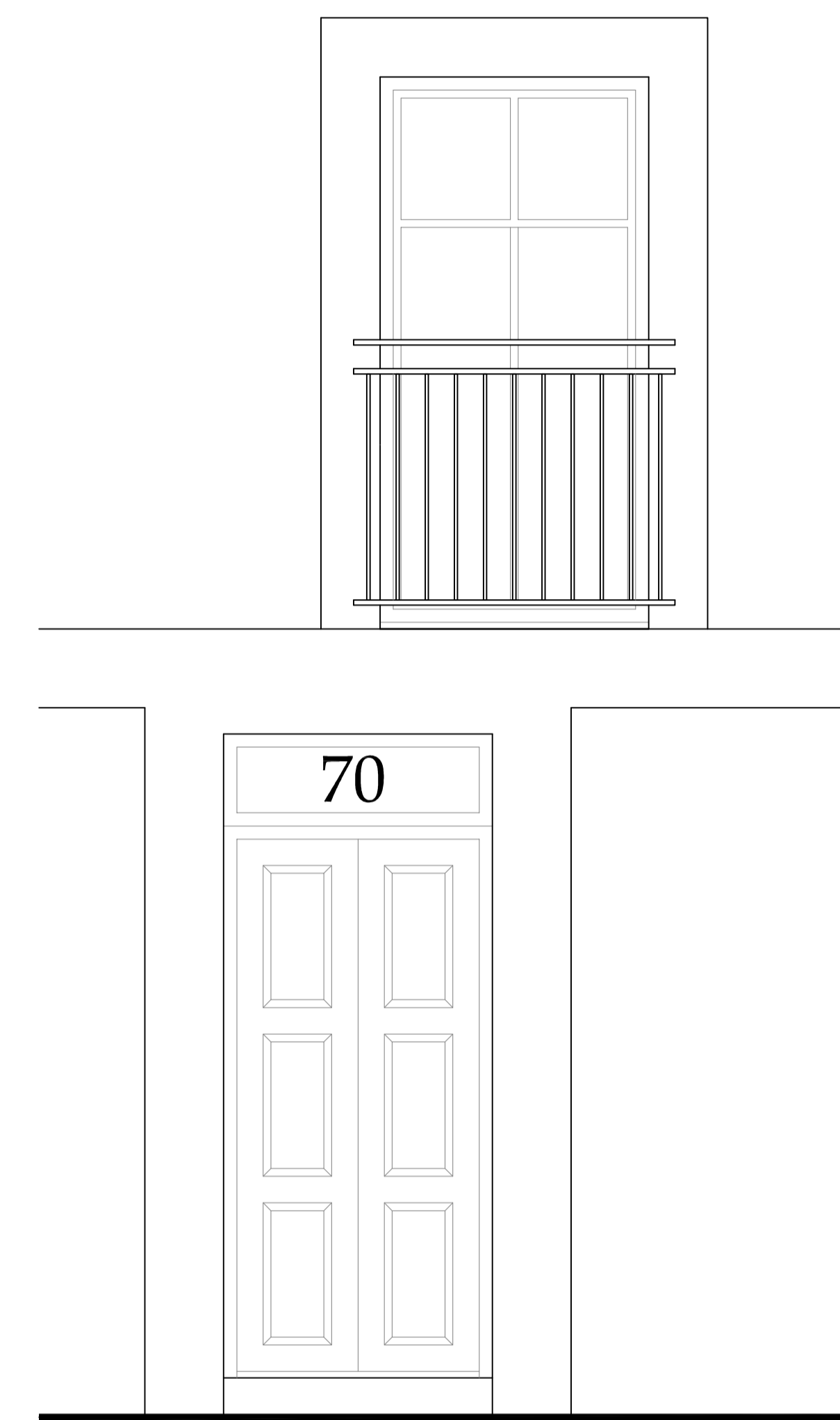
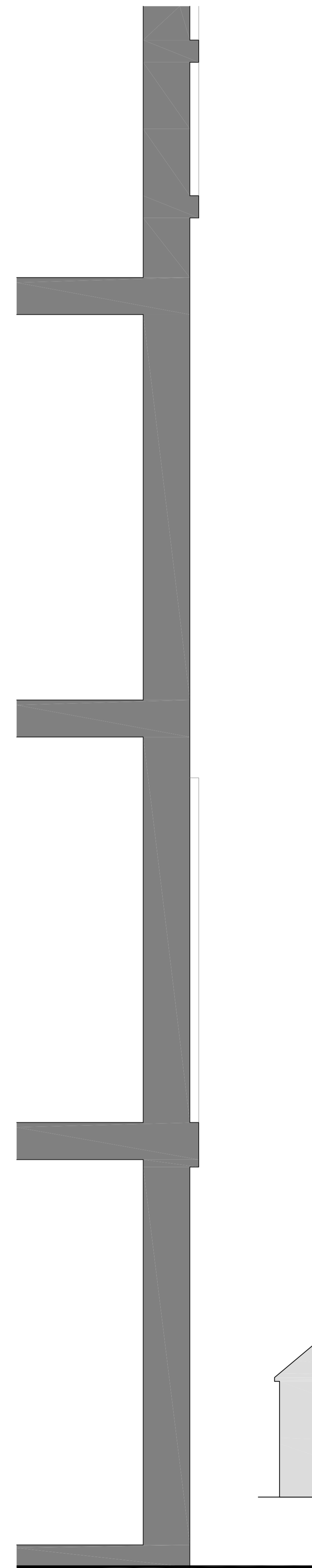
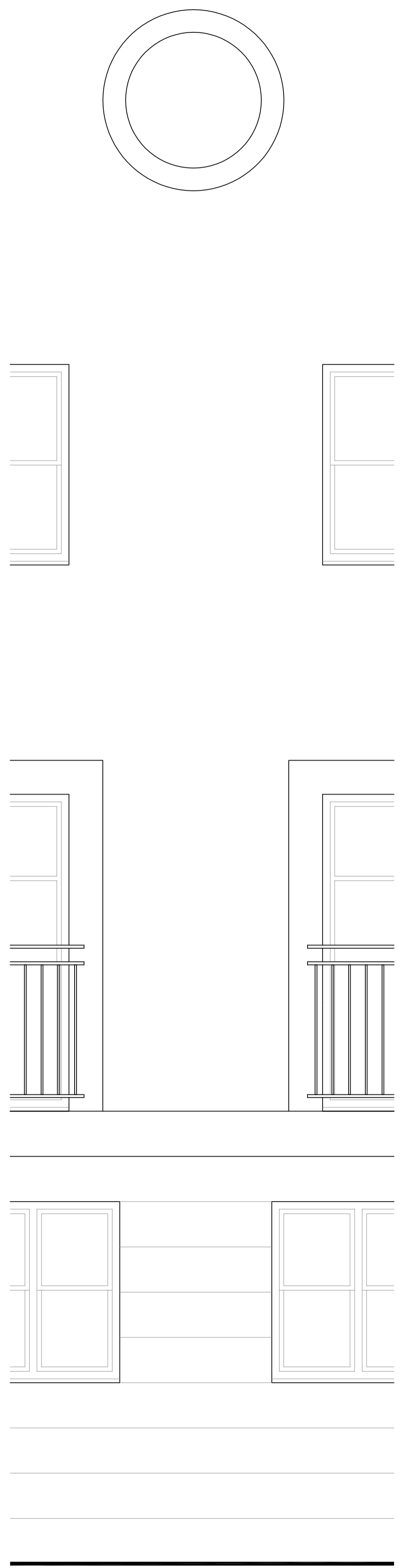
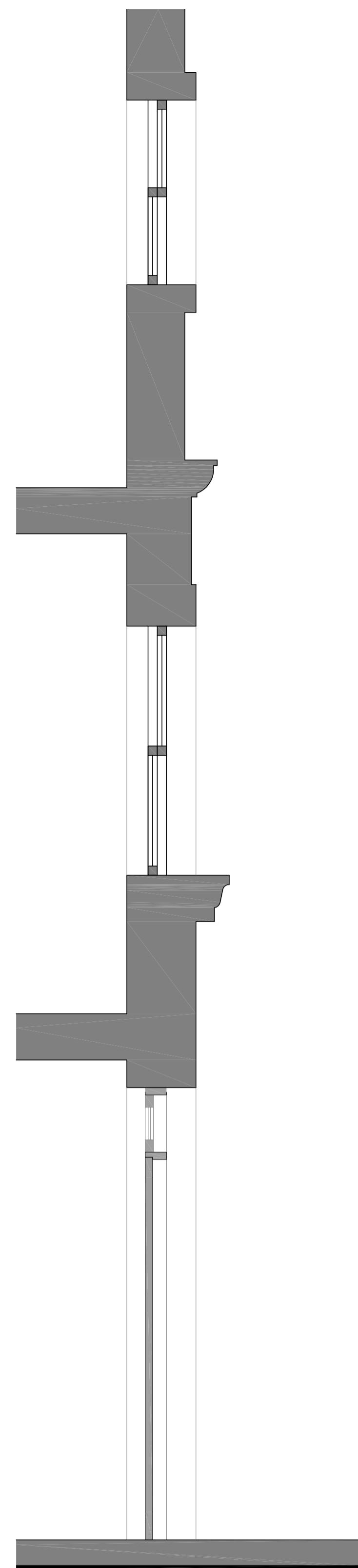
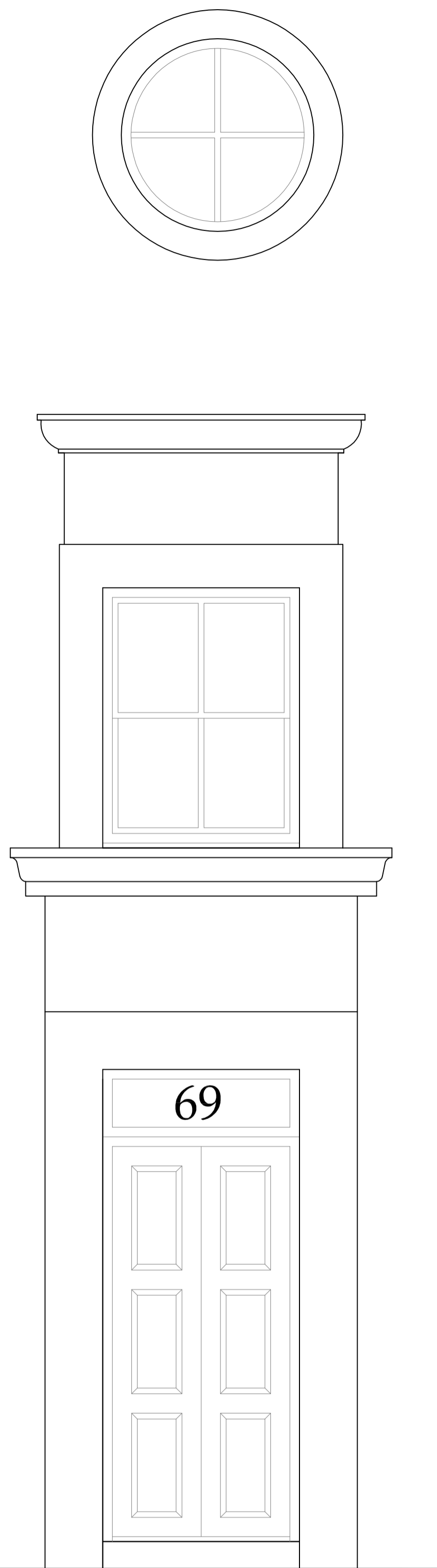


1. Do not scale from this drawing. If in doubt ask.
2. Contractor to check all dimensions on site prior to the commencement of works and report any discrepancies to the Architect immediately.
3. To be read in conjunction with all other drawings, bills and specification documents.
4. Cross refer to structural engineers design for all structural information.



Plots 69 & 78 Stone Door Surround

Section

Circular Stone Detail

Section

Typical Stone Door Surround

Section



Typical Front Elevation

rev.	date	description
Revision		

NCV

New City Vision
Our vision. Your future

13 Newton Place
Glasgow
G3 7PR

t: 0141 353 2010
f: 0141 353 2442
e: info@newcityvision.co.uk
www.newcityvision.co.uk

Project	CLOUSTON STREET		
Drawing	Mews House Details		
Scale	1:20@A1	Package	Date 30.04.12
Development		Job No	0059
Drawing Number	AL (0) 303	Revision	
Status	Planning		